

Ceramic Infrared Screw Radiators



Figure 50: IOT/75 and IOT/90

Elstein IOT/75 and IOT/90 radiators are dark ceramic infrared radiators with E27 screw caps.

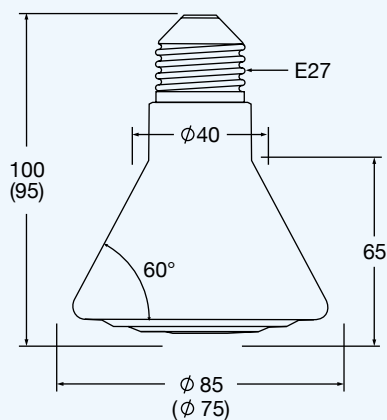
The standardised E27 thread allows easy and safe installation, as the radiators can be screwed in like bulbs into porcelain or metal sockets with porcelain insert.

Due to their simple connection, IOT/75 and IOT/90 infrared radiators are suitable both for individual operation and for configuring groups of radiators. They have diverse applications, in particular they range over terrariums/pets and livestock, breeding, medical and catering technology.

The power can be adjusted using a proprietary dimmer.

The IOT/75 and IOT/90 radiators are available in two power levels of 60 W and 100 W or rather 150 W and 250 W.

IOT/75



IOT/90

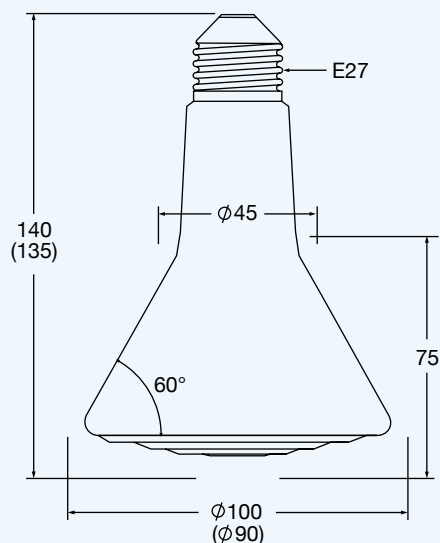


Figure: 51 Mounting dimensions and radiator dimensions () in mm